

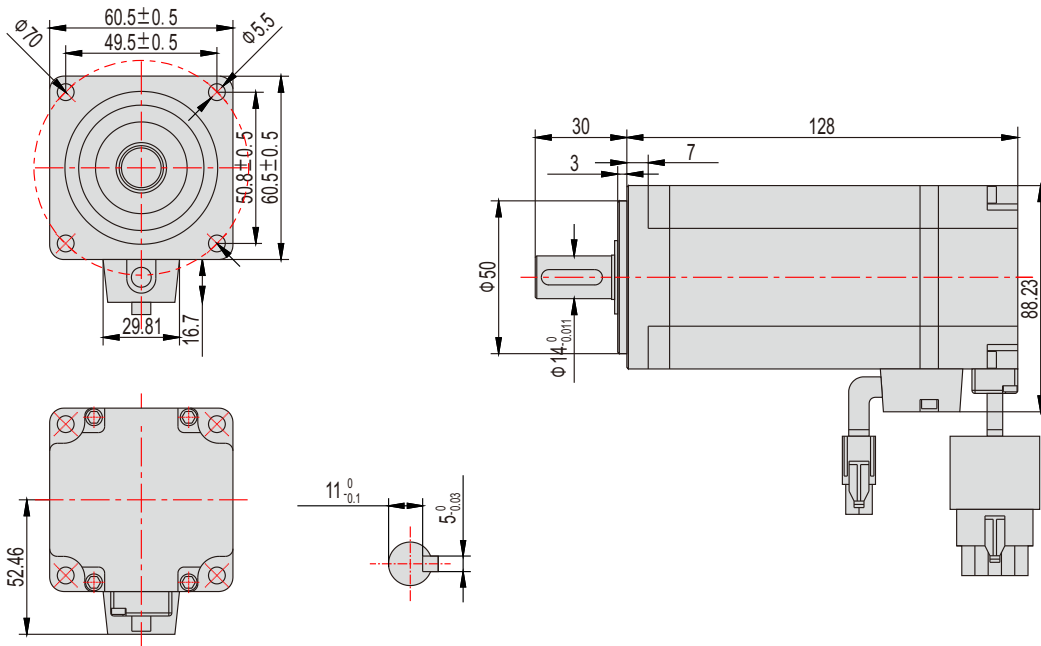


□ 60mm

Install caution

1. Do not knock the shaft end hard while installing / disassembling coupling components in case of the damage to the encoder on the other side.
2. Justify the shaft end on both sides in case of vibration and damage to the bearing.

Dimension



Parameters

Servo Motor Model		YSD06040ASK			
Servo Drive Model		SDA06-MF20-040			
Flange Size(□)		□60			
Rated Power	W	400			
Rated Torque	N.m	1.27			
	kgf.cm	12.95			
Max Torque	N.m	3.8			
	kgf.cm	38.76			
Rated Speed	r/min	3000			
Rotor Inertia	kg.m ² X10 ⁻⁴	0.302			
Torque Constant	N.m/A	0.5			
Voltage Constant	V/krpm	41.1			
Resistance	Ω	5.83			
Inductance	mH	12.23			
Timer Constant	ms	2.1			
Specification and Features	Structure	Enclosed totally, Non ventilated IP65 (Not include the shaft and the connection part)			
	Ambient Temp	Working Temperature: 0~40°C, Storage Temperature: -20~80°C			
	Ambient Humidity	Lower than 90% (No condensation)			
	Air	Avoid direct sunlight, corrosive gas, Flammable gas, greasy dirt or dust			
Weight	kg	1.3			

※ Please discuss with us or our agents if there is any other special requirements.